

Laser Data Collection Project **Verify Fabricated Pipe Spools**

Project Scope

The client needed to replace existing 20" reactor pipe spools with new ones. Dimension tolerances are critical and must be held to tight tolerances so that they fit when bolted to the existing pipe. The fabricator was given data from the client drawing that contain the required dimensions. Prior to final fabrication, the dimensions of the new spools must be verified.

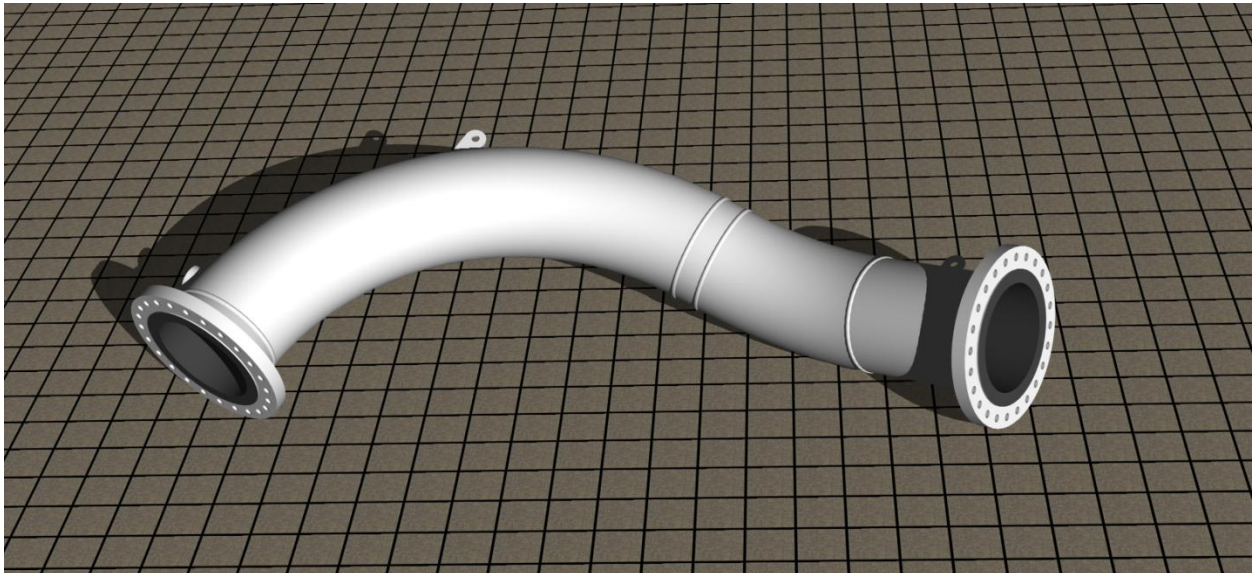


Figure 1: A 3D rendered image of the 20" pipe spool to be fabricated

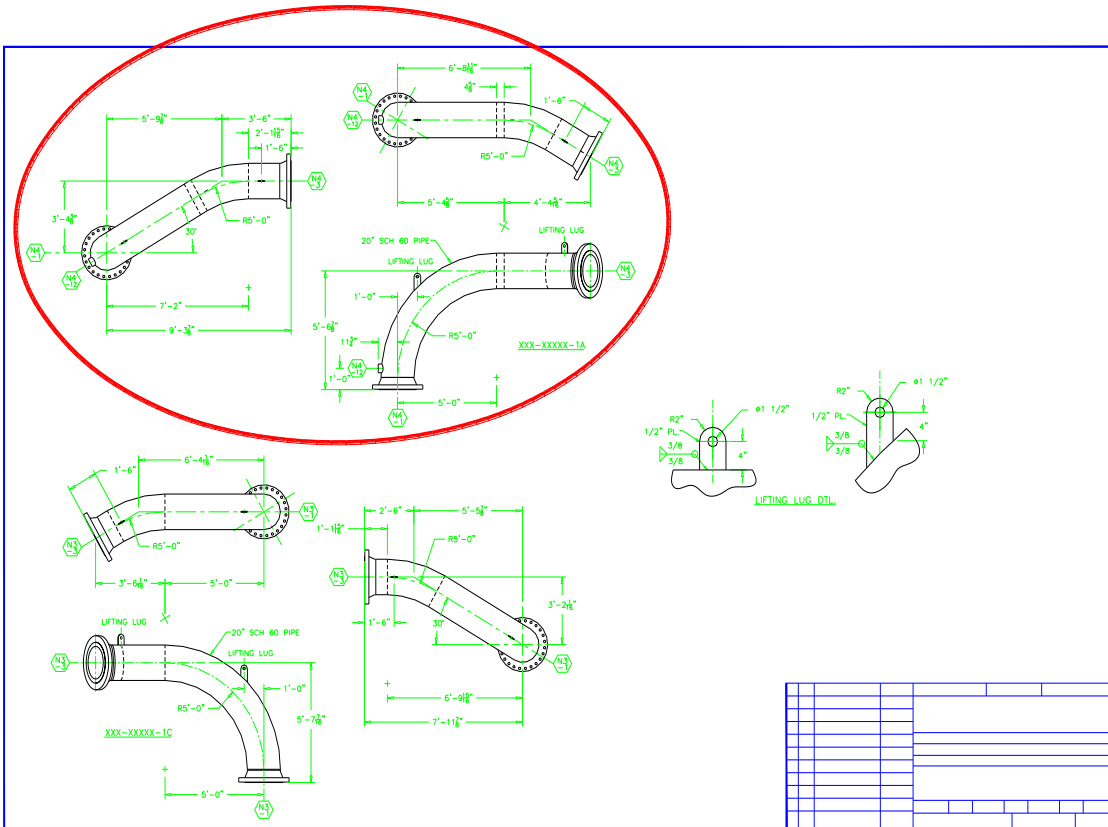


Figure 2: Spool fabrication drawing as-designed provided to the shop by the client

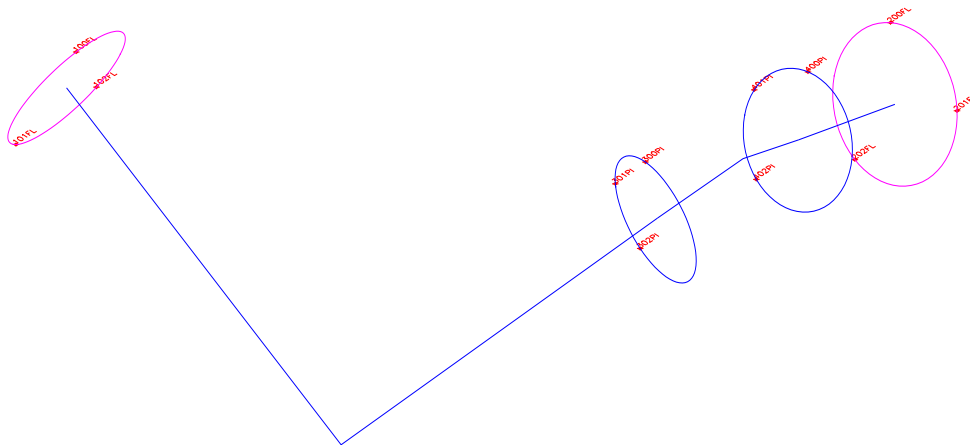


Figure 3: Single-point shots taken of spool at the fabricating shop as it sits, tack welded

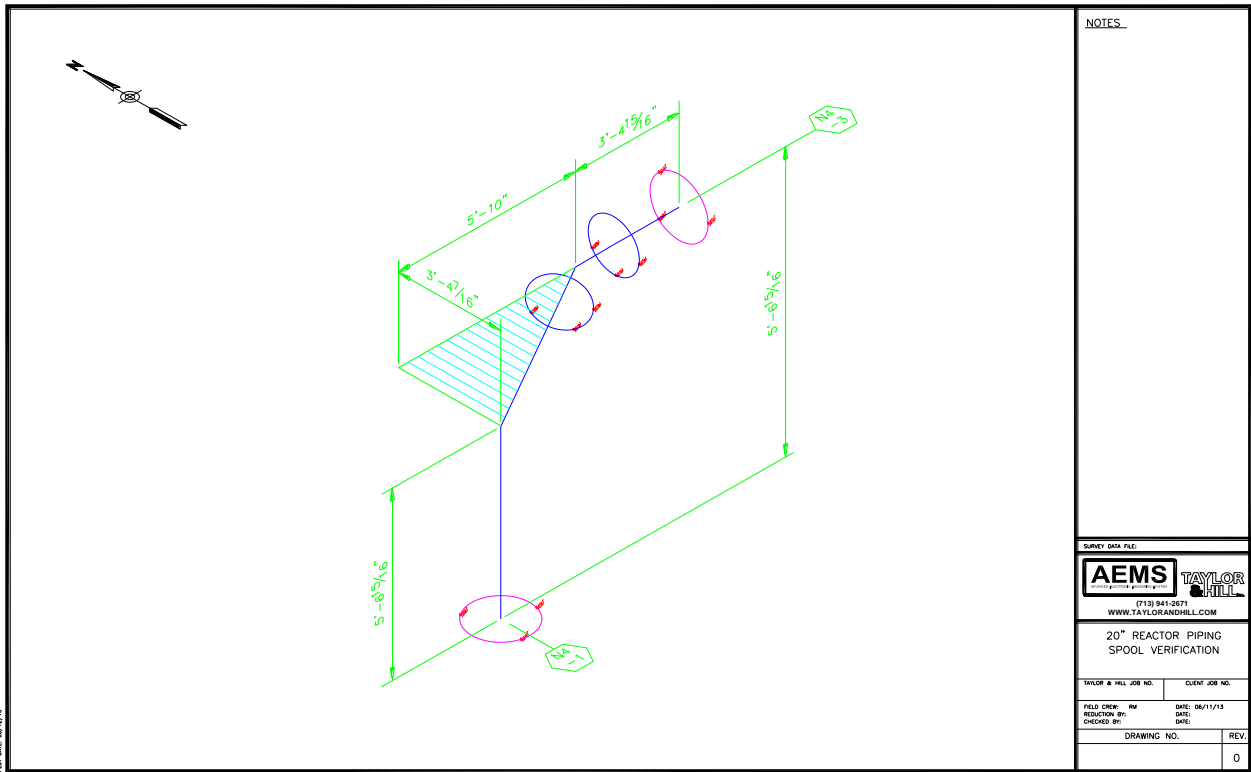


Figure 4: Isometric drawing of 3D data rotated and aligned showing the measurements that were captured